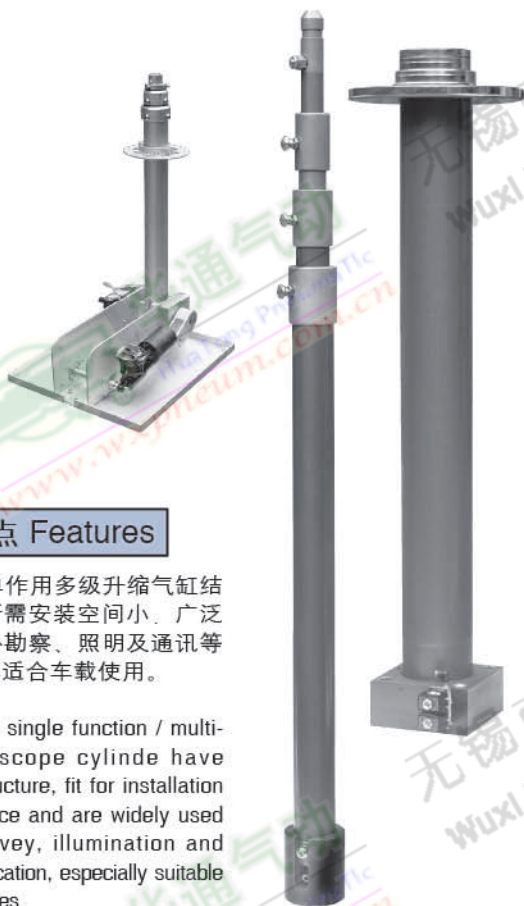
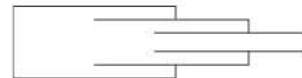


QT 系列单作用多级升缩气缸

series Single function / multi-stage telescope



图形符号 Graphical symbols

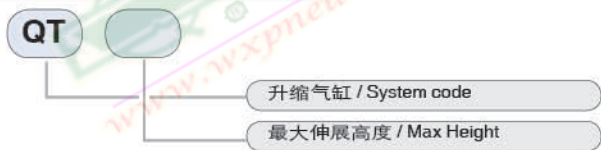


产品特点 Features

QT系列单作用多级升缩气缸结构紧凑，所需安装空间小，广泛应用于野外勘察、照明及通讯等领域，尤其适合车载使用。

QT series single function / multi-stage telescope cylinder have compact structure, fit for installation in small space and are widely used in field survey, illumination and telecommunication, especially suitable aboard vehicles.

型号注释 Note for type



外形尺寸 Outlook & Dimension

| 型号 | A | B | D | L | L1 | 最大缸径 Max Bore |
|---------|-----|-----|----|------|-------|------------------|
| QT-1.5 | | | | 785 | 1500 | Ø63 |
| QT-2 | | | | 950 | 2000 | Ø63 |
| QT-4 | 166 | 220 | 17 | 1590 | 4000 | Ø160 |
| QT-8 | 166 | 220 | 17 | 1980 | 8000 | Ø160 |
| QT-14.5 | 230 | 270 | 17 | 3150 | 14500 | Ø215 |

技术参数 Specification

| 项目 Item | 参数 specification | | | | |
|---------------------------|--|------|------|------|---------|
| | QT-1.5 | QT-2 | QT-4 | QT-8 | QT-14.5 |
| 工作介质 Working medium | 干燥洁净的压缩空气 dry and clean compressed air | | | | |
| 工作压力 Working pressure | 0.05~0.3 MPa | | | | |
| 环境温度 Tempt ambient | -10°C~60°C | | | | |
| 抗风能力 Ability against wind | 110 km/h (约12级风) | | | | |
| 负载能力 Loading ability (kg) | 35 | 35 | 150 | 150 | 330 |

